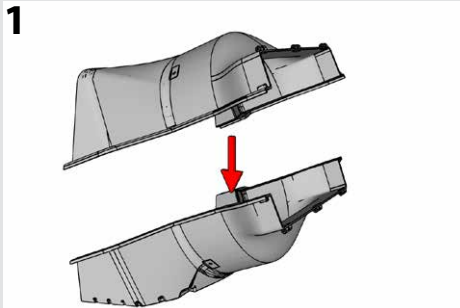
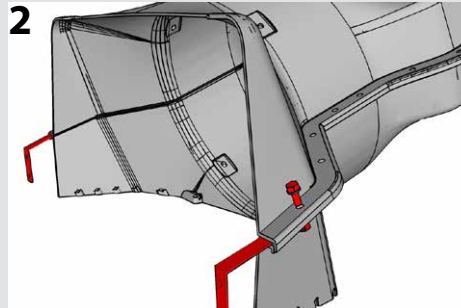




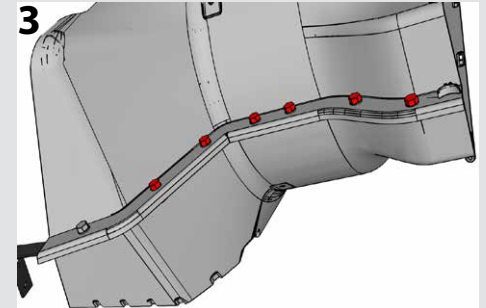
## EN: Mounting Air-Optimizer



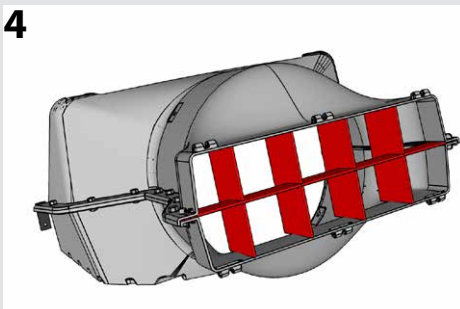
Put the upper and bottom part of the main frame together



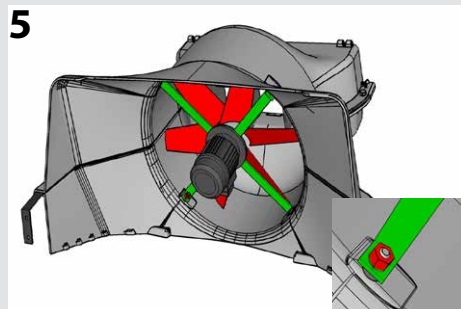
Place the side supports in position and mount the first bolt. The side supports are in between the upper and down part



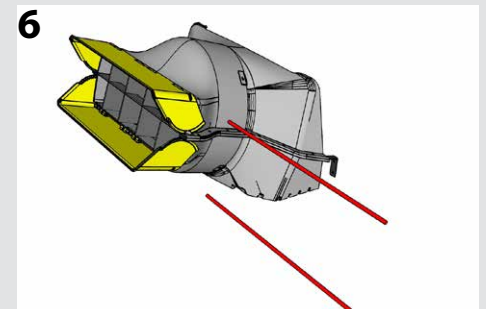
Mount all the other bolts



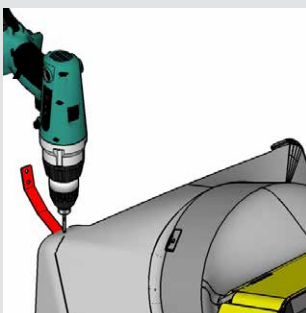
Mount the plastic grid between the upper and bottom part of the main frame



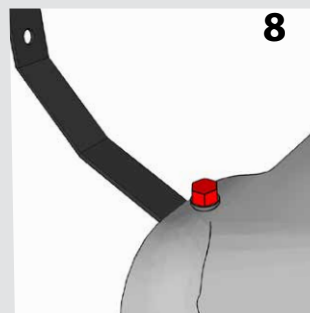
Mount the fan with 4 bolts



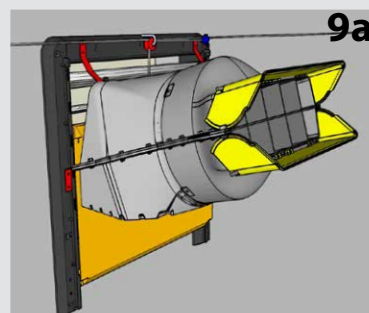
Mount the 2 yellow mouth pieces with 2 steel rods



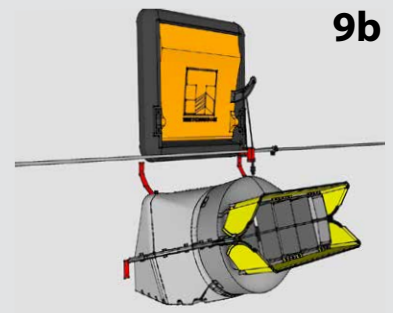
Drill 2 holes, 1 on each top corner



Mount the 2 upper supports with a bolt



Mount the Air-Optimizer in front of a Flash 3300 inlet, this way you can adjust the amount of fresh air vs the amount of recirculation air.



With other inlet mount the Air-Optimizer under the inlet. It is now used as a recirculation fan