



Multi Connect

All-in-one automation system

The ORION-MC (Multi Connect) is a highly reliable, versatile communication interface between the greenhouse computer and motor-driven greenhouse systems and valves, such as air vents, screen systems, ventilation units and air handling units.

The reliable link

The ORION-MC allows climate computers and installations to work together flawlessly in serving a favorable greenhouse climate, efficient use of energy and maximum crop performance.

Communication between greenhouse computers and motor-driven greenhouse systems is rarely direct. In most cases, a translation is required to convert a control instruction from the computer into an instruction for the IO unit (such as the HIMC or CAN-IO) that controls the installation in question. The ORION-MC takes care of this translation and is extremely reliable in this respect.

Versatile communication interface

The ORION-MC is a universal, high-performance interface that communicates with the IO units via CAN-local. This offers maximum freedom of choice regarding climate computers and motors.

The ORION-MC controls very accurately and requires little cabling. Moreover, the universal design of the Multi Connect offers a lot of room for control options and future expansions. It is truly a multi-talent that allows you to control screen installations, ventilation, fans, and air handling units.



Why choose ORION-MC:

- Unique communication-interface
- System-independent
- Universal design
- Easily expandable

Motor groups and controls

The ORION-MC allows you to create motor groups to control a variety of installations in multiple compartments.

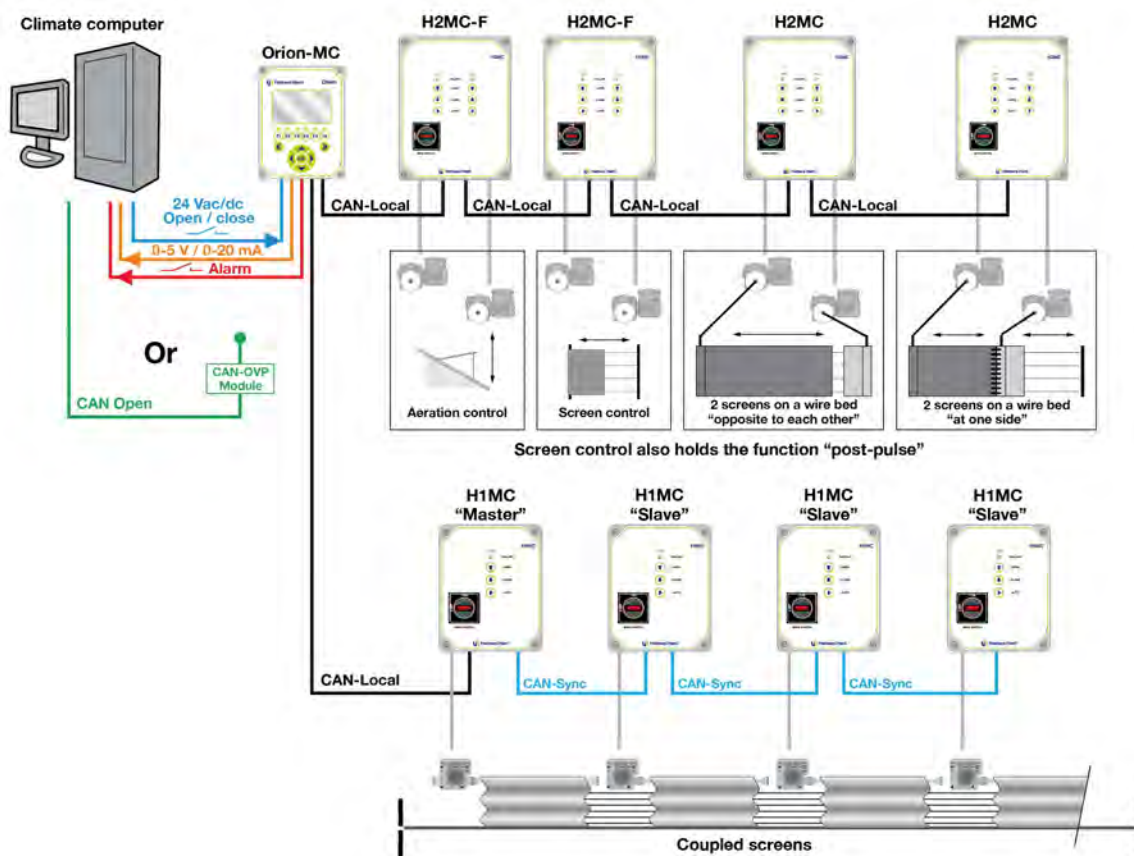
You can assign multiple motors to each motor group. Specific controls can be assigned to each group.

Software modules

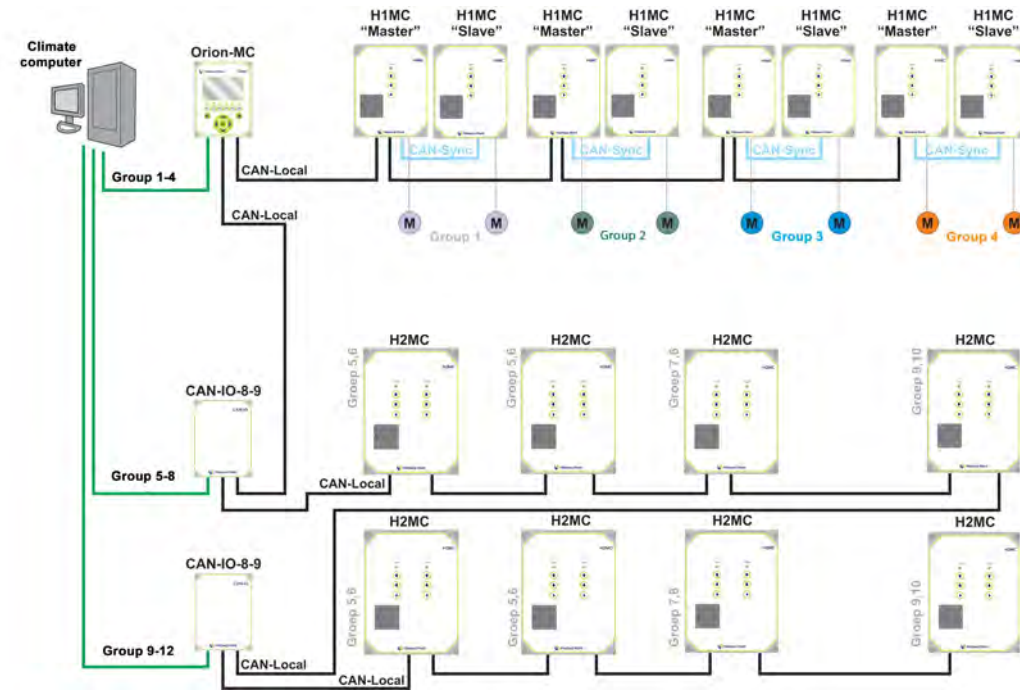
A number of software modules have been developed that can be installed on the ORION-MC:

- * CANopen (windows & screens)
- * VENT-SM-MC (windows & fans)
- * BELIMO-SM-MC (ventilation valves)
- * LBK-SM-MC (air handling units)
- * GROUPS-SM-MC (ventilation groups)
- * Watchdog (Modbus)

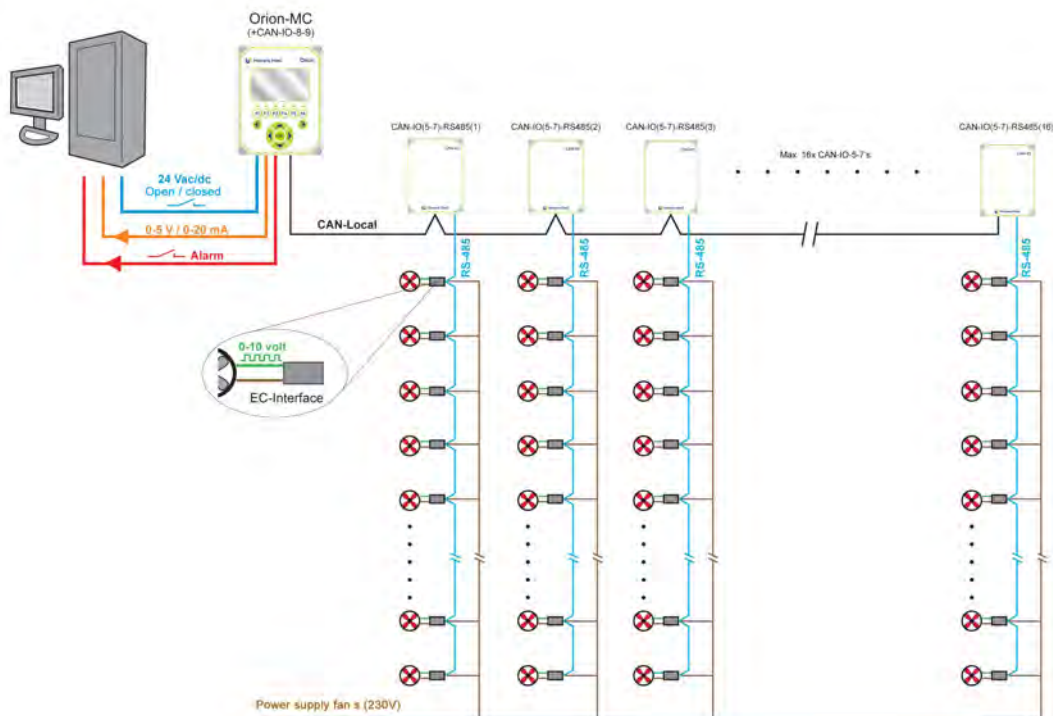
Multi Connect control options



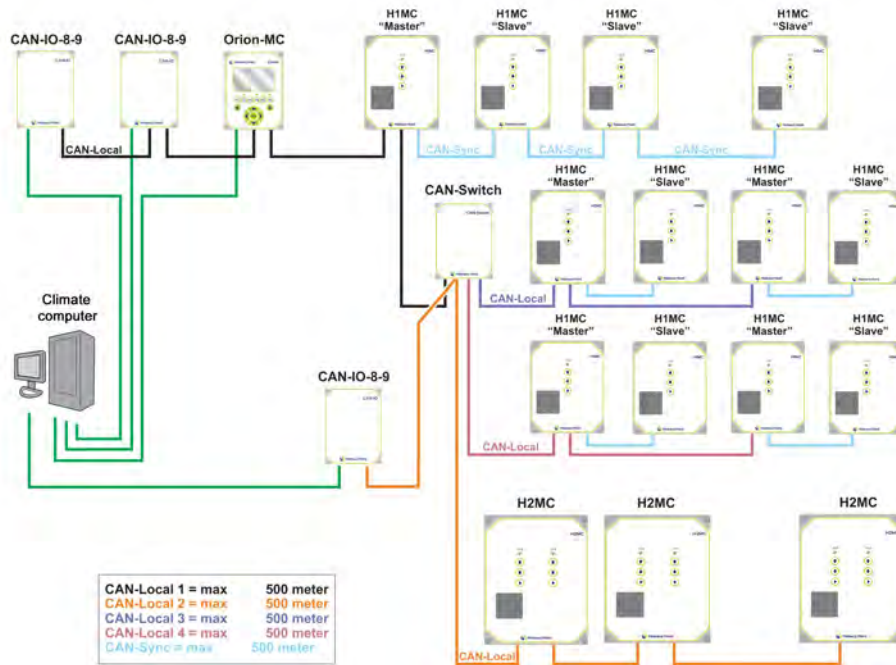
Multi Connect with CAN-IO-8-9



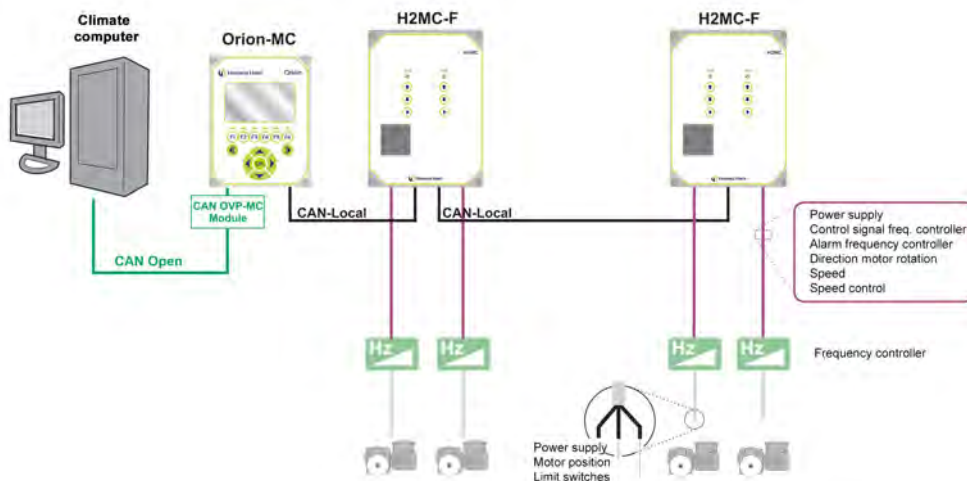
Multi Connect with CAN-IO-5-7



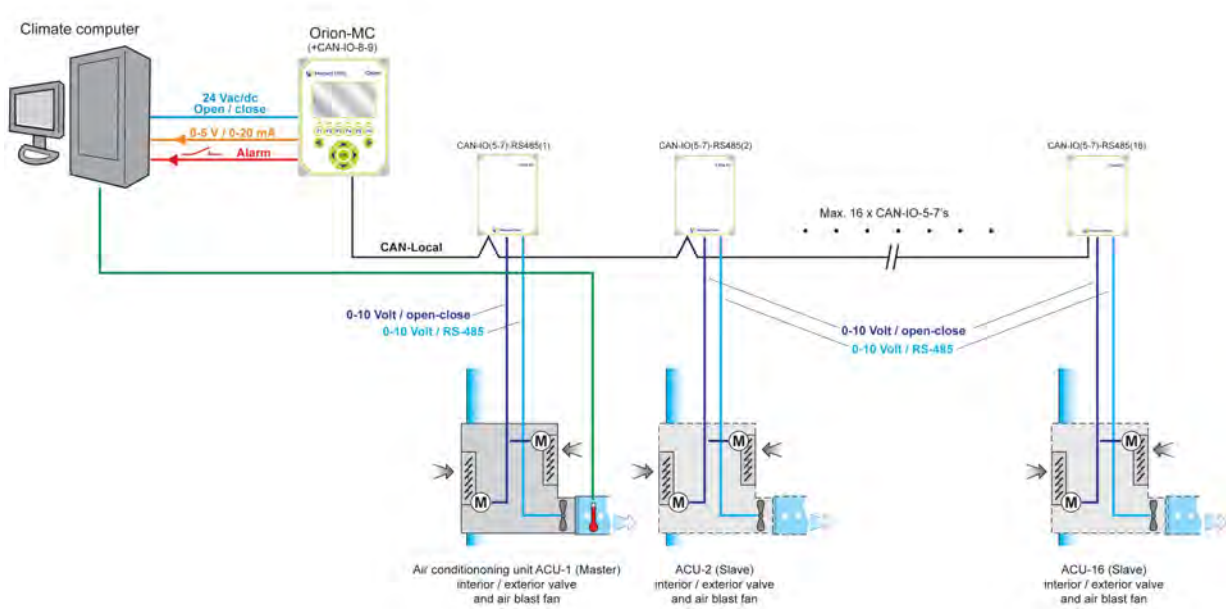
Multi Connect with CAN switch



Window or screen control with frequency controlled motors



Air handling units with recirculation valves and intake fan



Air handling units' indoor/outdoor valve with mixing temperature measurement and adjustment

